

# KOLBEN

MOBILE EQUIPMENT DRIVES  
FOR MINIEXCAVATORS & EXCAVATORS



**BONFIGLIOLI**  
**TRASMITAL**

*Drives for miniexcavators & excavators solutions*



### *Bonfiglioli: Specific Solutions for Power Transmission and Motion Control*

Product diversification, process automation, and quality have enabled Bonfiglioli to play a leading role in the industry. Bonfiglioli's policy focuses on integrated solutions, competence and innovative technology as key factors, indispensable to ensure customer satisfaction, while production is aimed at achieving the highest standards.

Bonfiglioli product portfolio meets the toughest and most sophisticated requirement for Industrial Process and Automation Solution and for Mobile Equipment Solutions.



## *Drives for miniexcavators & excavators solutions*

**B**onfiglioli Riduttori, with its broad and diversified product range, can fully meet the specifications of construction machinery manufacturers.

Bonfiglioli Riduttori offers solutions for mini-excavators and excavators with a specific range of gear units featuring axial pistons hydraulic motors.

These are suitable for machines weighing anywhere from 1,5 to 120 tons.



These products are the result of a partnership with KAYABA INDUSTRIES CO., a leading manufacturer of hydraulic components. The products represent the best solution available today for the above-mentioned applications. All the hydraulic and mechanical functions are incorporated into a single unit: powerdrive, operating and travel speed, hydraulic and mechanical emergency braking and overload prevention. The unit assures high reliability and excellent performance, smoothness in operation and also, due to its compact dimensions, very easy and economical installation on board of machines.

A vast range of customised solutions and extensive expertise in the industry, make BONFIGLIOLI TRASMITAL the ideal partner for all manufacturers of construction machinery manufacturers.

2 **700CK** series Track drive for miniexcavators from 1 to 6 tons



**Machine Data**

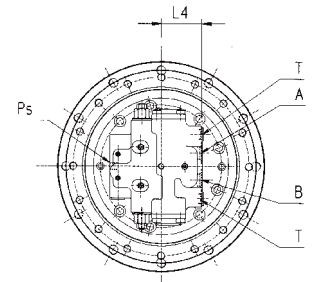
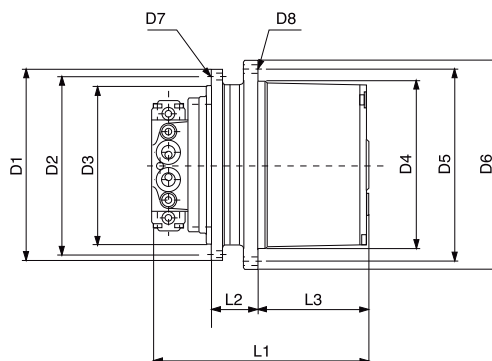
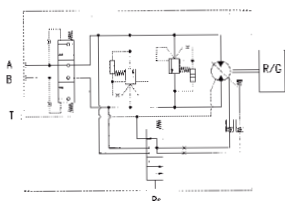
**Gearbox Data**

weight tons	type	output torque Nm	ratios 1:	KAYABA motor type	motor displacement cc/rev	max pressure bar	max oil flow l/min
up to 1.5	700 C2 K	1400	32-34-37	MAG12V/12V	12	200÷220	10÷18
1.5 ÷ 2	700-2C2 K	1900	36	MAG16V/18V	16-18	200÷225	20÷30
2 ÷ 3	701 C2 K	2500	41-48-53	MAG18V	18	200÷225	30÷40
3 ÷ 4	702 C2 K	3500	41-48	MAG18V/26V	18-26	200÷225	30÷45
4 ÷ 6	704 C2 K	5000	41-46-48	MAG33V	33	215÷245	40÷60

**Type**

**Dimensions**

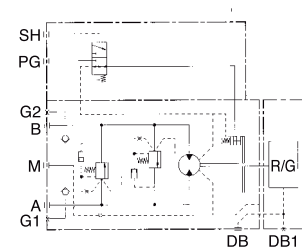
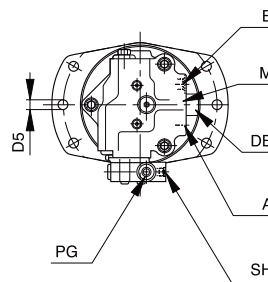
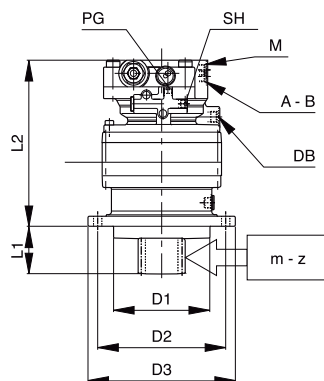
	D1	D2	D3	D4	D5	D6	D7	D8	L1	L2	L3	L4	A-B	T	Ps
700 C2 K	175	155	140	140	155	175	M10x1,5 n°8	M10x1,5 n°8	202	45	93	40	1/4"	1/4"	1/4"
700-2C2 K	190	170	150	160	180	200	M10x1,5 n°8	M10x1,5 n°8	223	40	108	39	3/8"	1/4"	1/4"
701 C2 K	215	192	165	190	215	240	M12x1,75 n°9	M12x1,75 n°9	300	50	125	45	1/2"	1/4"	1/4"
702 C2 K	215	192	165	204	232	255	M12x1,75 n°9	M12x1,75 n°9	285	70	115	45	1/2"	1/4"	1/4"
704 C2 K	264	240	200	230	262	286	M14x2 n°9	M14x2 n°9	345	68	167	46	1/2"	3/8"	1/4"





Machine Data				Gearbox Data				
weight	type	output torque	ratios	KAYABA motor type	motor displacement	max pressure	max oil flow	pinion module
tons		Nm	1:		cc/rev	bar	l/min	mm
up to 1.5	700 T1 K	750	6.56-9.9	MSF27P (E)	25.1-27.4	120÷170	12÷20	3 - 4
1.5 ÷ 2	700 T1 K	750	6.56-9.9	MSF27P (E)	25.1-27.4	120÷170	12÷20	3 - 4
2 ÷ 3	701 T1 K	1000	8.2	MSF27P (E)	22.1-26.1	150÷170	20÷30	4 - 5.5
	701 T2 K	1200	11.2-14.3-18.9-20.8	MSF27P (E)	22.1-26.1	150÷170	20÷30	4 - 5.5
3 ÷ 4	701 T2 K	1500	13.7-14.3-18.9-20.8	MSF27P (E)	20.7-26.1-27.4	170÷200	20÷45	5 - 6
4 ÷ 6	701 T2 K	1500	18.9-20.8	MSF27P (E)	20.7-26.1-27.4	180÷200	20÷45	6
	703 T2 K	2000	14.8-18.2-22.7-26	MSF27P (E)	26.1-27.4	180÷215	40÷50	6

Type	Dimensions												
	D1	D2	D3	D4	D5	L1	L2	A-B	DB	M	SH	PG	m z
700 T1 K - 27		228	260	186	13 n °6	76	221	MAIN PORT	DRAIN PORT	ANTICAVITATION PORT	SPOOL OPERATING PORT	BRAKE RELEASE PORT	Module / number of teeth of pinion UPON REQUEST
701 T2 K - 27	175	228	260	186	13 n °6	86	256						
703 T2 K - 27	175	245	272	244	18 n °10	120	330						



4 **700CK** series Track drive for excavators from 6 to 120 tons



**Machine Data**

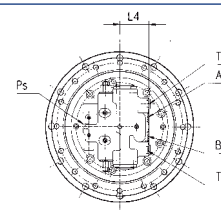
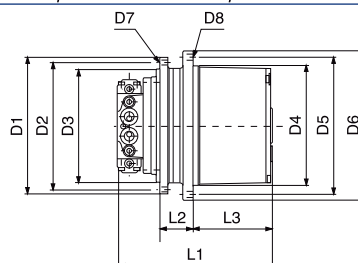
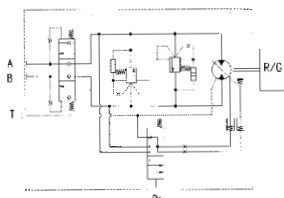
**Gearbox Data**

weight tons	type	output torque Nm	ratios 1:	KAYABA motor type	motor displacement cc/rev	max pressure bar	max oil flow l/min
6 ÷ 8	705 C2 K	10000	48-53	MAG50VP	44	300	65÷75
8 ÷ 10	706 C3 K	18000	68-79	MAG50VP	44		65÷75
10 ÷ 12	707 C3 K	26000	40-45	MAG85VP	85		110÷120
12 ÷ 20	709 C3 K	30000	53-63-69	MAG85VP	85		110÷160
20 ÷ 25	710 C3 K	36000	49-69	MAG170VP	170	345	175÷240
25 ÷ 29	713 C2 K	45000	55	MAG170VP	170		180÷230
29 ÷ 37	713 C3 K	60000	60-68-75	MSF170VP/230VP	170-230		260÷310
37 ÷ 50	715 C3 K	85000	62-82	MSF230VP/340VP	230-340		270÷370
50 ÷ 60	716 C3 K	110000	75	MSF340VP	340		420
60 ÷ 80	718 C3 K	160000	85-106	MSF340VP	340		430÷500
up to 120	720 C3 K	200000	120	MSF340VP	340		500

**Type**

**Dimensions**

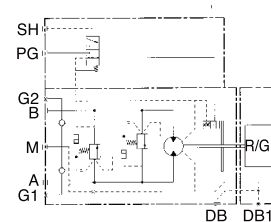
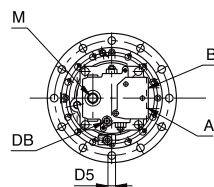
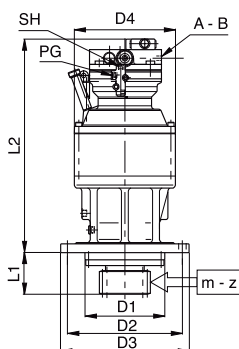
	D1	D2	D3	D4	D5	D6	D7	D8	L1	L2	L3	L4	A-B	T	Ps
705 C2 K	268	244	210	230	260	286	M14x2 n°12	M14x2 n°12	340	75	144	50	1/2"	3/8"	1/4"
706 C3 K	308	280	246	280	330	370	M16x2 n°20	M16x2 n°12	412	100	193	50	1/2"	3/8"	1/4"
707 C2 K	350	320	280	300	340	370	M16x2 n°16	M16x2 n°20	440	91	210	84	3/4"	1/2"	1/4"
707 C3 K	350	320	280	300	340	370	M16x2 n°16	M16x2 n°20	470	91	240	84	3/4"	1/2"	1/4"
709 C3 K	375	340	300	330	370	400	M16x2 n°30	M16x2 n°30	455	99.5	243	84	3/4"	1/2"	1/4"
710 C3 K	375	340	300	350	400	435	M16x2 n°30	M20x2,5 n°16	500	91	253	84	3/4"	1/2"	1/4"
713 C3 K	480	440	380	410	455	490	M24x3 n°18	M20x2,5 n°24	570	100	278	90	1"	1/2"	1/4"
715 C3 K	500	460	420	460	510	550	M20x2,5 n°24	M20x2,5 n°24	605	130	315	90	1"	1/2"	1/4"
716 C3 K	500	460	420	460	500	548	M24x3 n°24	M18x1,5 n°36	663	165	308	118	1"	3/4"	1/4"
718 C3 K	570	510	450	576	626	670	M24x3 n°30	M24x3 n°30	730	170	350	118	1"	3/4"	1/4"
720 C3 K	650	600	480	610	680	735	M30x3,5 n°30	M24x3,5 n°24	800	170	370	118	1"	3/4"	1/4"





Machine Data		Gearbox Data							
weight	type	gearbox	output torque	ratios	KAYABA or KAWASAKY motor type	motor displacement	max pressure	max oil flow	pinion module
tons		nbr	Nm	1:		cc/rev	bar	l/min	mm
6 ÷ 8	703 T2 K	1	2500	21-23	MSF44P	44	220	80	8
8 ÷ 12	705 T2 K	1	5000	19-26	MSF44P	44		110÷120	10
12 ÷ 18	706 T2 K	1	7500	15-17-23	MSF85P	85	260÷280	140÷150	10-12
18 ÷ 21	707 T2 F	1	9000	17-25	M5X130	100-130		140÷150	10-12
21 ÷ 26	709 T2 F	1	11000	19-25	M5X180	130-160-180		180÷240	12-14
26 ÷ 30	710 T2 F	1	15000	22-26	M5X180	160-180		250	14
30 ÷ 35	711 T2 F	1	24000	21-25	M2X210	210		290	14-16
35 ÷ 45	709 T2 F	2	11000	19-25	M5X180	130-160-180	270÷290	180÷240	12-14
45 ÷ 60	710 T2 F	2	15000	22-26	M5X180	160-180		250	16
60 ÷ 80	711 T2 F	2	24000	21-25	M2X210	210		290	18
80 ÷ 120	713 T2 F	2	30000	25-35	M5X180	160-180		270	20

Type	Dimensions								A-B	DB	M	SH	PG	m z
	D1	D2	D3	D4	D5	L1	L2							
703 T2 K	230	245	272	244	18 n °10	120	420	MAIN PORT	DRAIN PORT	ANTICAVITATION PORT	SPOOL OPERATING PORT	BRAKE RELEASE PORT	Module / number of teeth of pinion UPON REQUEST	
705 T2 K	230	245	272	244	18 n °10	120	420							
706 T2 K	270	332	372	292	22 n °10	150	615							
707 T2 F		360	410	348	22 n °12	160	580							
709 T2 F	270	360	410	348	22 n °12	160	t.b.d.							
710 T2 F	390	460	510	400	22 n °12	160	t.b.d.							
711 T2 F	370	470	520	430	22 n °12	160	t.b.d.							
713 T2 F	550	600	660	445	26 n °24	350	t.b.d.							



*Quality has Always Been the Distinctive Trait of Bonfiglioli*





Total quality for customer satisfaction: this is the underlying concept of the Bonfiglioli philosophy. The Bonfiglioli Quality System applies to all the activities conducted in all production sites. This synergical approach translates into a common Quality Management throughout the Company, which ensures that every process is carried out according to the ISO 9001 : 2000 standards.



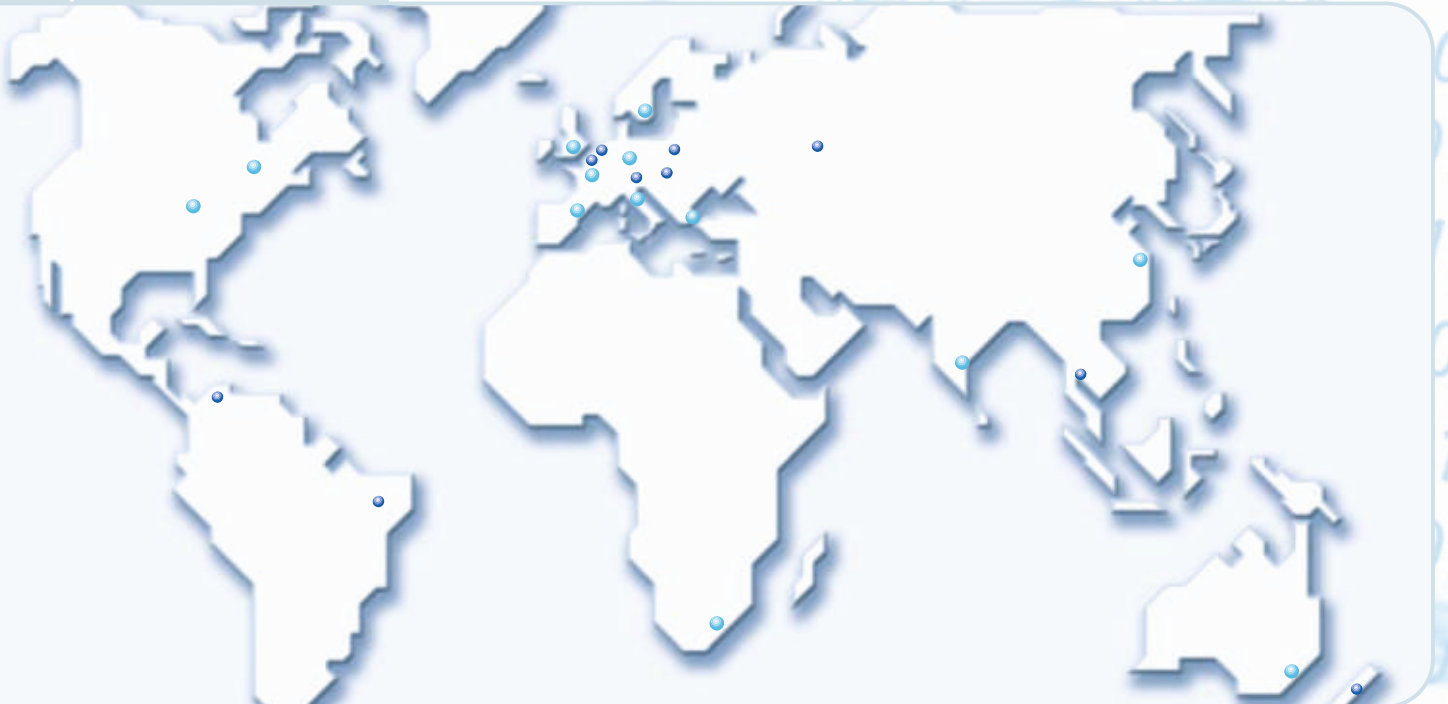
For Bonfiglioli, this involved significant changes in all areas of the company, as well as substantial investments. By achieving the ISO 9001: 2000 certification, the Bonfiglioli facilities proved their ability to design, produce and guarantee a quality product.

The Bonfiglioli Group can flaunt the European record scored by its division, who were the first to obtain a quality system certification from two different internationally acknowledged authorities, members of Sincert: Det Norske Veritas and TV.

**KOLBEN**

### ***Bonfiglioli is a Worldwide Partner for Power Transmission and Motion Control***

The ever-growing export activity has brought Bonfiglioli into the farthest Countries. With expansion plans entailing a further growth of the sales network Bonfiglioli aims at improving both the competitiveness of its products and the effectiveness of the Customer service. In every market place Bonfiglioli is committed to improve the Customer satisfaction by offering state-of-the-art technology and shorter deliveries. Nowadays branch companies and BEST Partners bearing the Bonfiglioli name are operating in seventeen Countries outside Italy, with sales and service in the other countries managed by authorized dealers. The domestic network is composed by 30 sales office and representatives and 100 dealers operating from their warehouse to support Customers locally. Throughout the World Bonfiglioli's reputed know-how and Service is guarantee of effective and timely assistance.





# KOLBEN



Via Calzi, 21 - 48018 Faenza (RA) ITALY  
Tel. 0546-623577- Fax 0546-627237  
[www.kolben.it](http://www.kolben.it) - E-mail: [kolben@kolben.it](mailto:kolben@kolben.it)